



"innovation in its most functional form"

PRODUCT DATA SHEET

SG25TE

SECURE-GRIP IN-LINE HYDRAULIC FLANGE SPREADER

SPREADING FORCE:
10,000 psi (700 bar) = 25 T (250 kN) per tool
It is recommended that tools are used in pairs giving
2 x 25 = 50 T (500 kN)

SPREADING DISTANCE = 0-120mm (0-4.72")
TOOL WEIGHT = 24kg (52.9 lbs)

KIT COMPONENTS

- 1 x SG25TE
 - 1 x Spreading plug
 - 1 x 10,000 psi (700 bar) HP550S Sealed Hand Pump with Gauge
 - 1 x 10,000 psi (700 bar) Hydraulic Hose, 2m (78.75")
 - 1 x 300mm (12") Vernier Calliper
 - 1 x Spacer Plate
 - 1 x Safety Block
 - 1 x Instruction Manual
 - 1 x Carry Case with protective foam inserts
- Product Code: SG25TESTD



COLLETS (purchased separately)

- | | |
|--------------------------|--------------------------|
| 2 x M76 (3") Collets | 2 x M90 (3 1/2") Collets |
| 2 x M80 (3 1/4") Collets | 2 x M95 (3 3/4") Collets |
| 2 x M84 (3 3/8") Collets | 2 x M100 (4") Collets |

WEIGHTS AND DIMENSIONS

Tool Weight = 24 kg (52.9 lbs)	Carry Case Dimensions:
Case Weight = 9 kg (19.8 lbs)	890 x 570 x 165mm (35.04" x 22.44" x 6.50")
Gross Weight = 50 kg (110 lbs)	

TOOL DIMENSIONS - CLOSED



TOOL DIMENSIONS - OPEN



SPREADING PLUG DIMENSIONS



info@equalizerinternational.com
www.equalizerinternational.com

SG25TE

SECURE-GRIP IN-LINE HYDRAULIC FLANGE SPREADER



"innovation in its most functional form"

RANGE OF APPLICATION

The SG25TE is usable on all standard flanges that have been specified to accept the following bolt sizes:

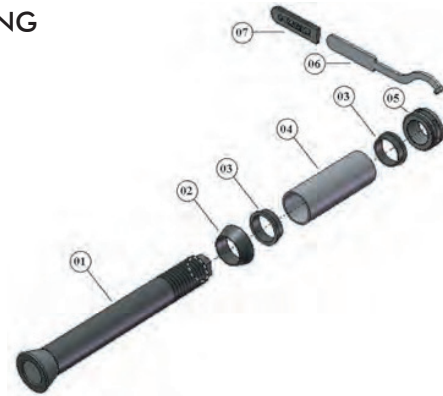
M76, M80, M84, M90, M95, M100, 3", 3 1/4", 3 3/8", 3 1/2", 3 3/4", 4"

This includes ANSI, DIN, SPO, ASME, API and BS flanges.

For a detailed range of application please request the Secure-Grip In Line Hydraulic Operator Instruction Manual.

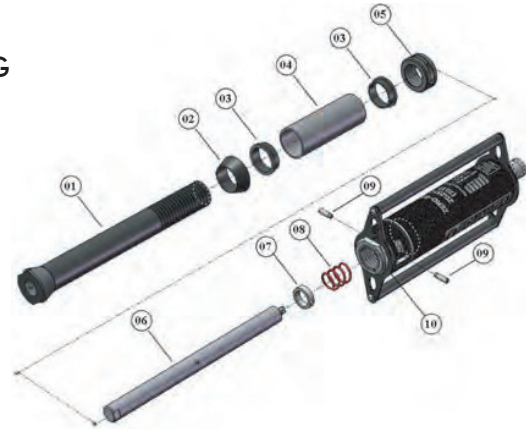
SPREADING PLUG PARTS LIST AND EXPLODED DRAWING

ITEM	PART No.	DESCRIPTION	QUANTITY
01	676001-01	COLLET PLUG	01 each
02	672201-01	DRIVE CONE	01 each
03	672101-01	THRUST WASHER	02 each
04	675501-01	DRIVE TUBE	01 each
05	672001-01	DRIVE NUT	01 each
06	662601-01	SPANNER	01 each
07	313301-01	SPANNER SLEEVE	01 each



ACTUATOR PARTS LIST AND EXPLODED DRAWING

ITEM	PART No.	DESCRIPTION	QUANTITY
01	672301-01	COLLET HOLDER	01 each
02	672201-01	DRIVE CONE	01 each
03	672101-01	THRUST WASHER	02 each
04	675501-01	DRIVE TUBE	01 each
05	672001-01	DRIVE NUT	01 each
06	672401-01	PISTON ROD	01 each
07	671401-01	SPRING COLLAR	01 each
08	661301-01	SAFETY SPRING	01 each
09	661101-01	SPRING COLLAR DOWELL	02 each
10		SEE HYDRAULIC CYLINDER PART LIST	



HYDRAULIC CYLINDER PARTS LIST AND EXPLODED DRAWING

ITEM	PART No.	DESCRIPTION	QUANTITY
01	402101-01	HANDLE SCREWS	02 each
02	633001-01	HANDLE RETAINING BOLT	04 each
03	671501-01	CYLINDER HANDLE FRONT PROFILE	01 each
04	671201-01	CYLINDER CAP	01 each
05	671001-01	PISTON ROD BEARING	01 each
06	671101-01	HYDRAULIC RETURN SPRING 1	01 each
07	670901-01	HYDRAULIC RETURN SPRING 2	01 each
08	671701-01	CYLINDER HANDLE	02 each
09	671601-01	CYLINDER HANDLE REAR PROFILE	01 each
10	670801-01	HYDRAULIC PISTON	01 each
11	670601-01	PISTON SEAL BACKUP RING	01 each
12	670501-01	PISTON SEAL	01 each
13	670701-01	PISTON BEARING	01 each
14	670401-01	HYDRAULIC CYLINDER	01 each
15	300901-01	FEMALE HALF COUPLER	01 each

